



**MS7320 InVista®** offers an outstanding combination of features, versatility, performance, and durability. This fixed mount laser bar code scanner provides ease of use and high throughput speeds by featuring a large, dynamic, and aggressive scan volume.

Sunrise 2005 Compliant

## MS7320 InVista®

### Features

- Decodes RSS-14, RSS Limited and RSS Expanded bar codes
- Firmware updates via Flash ROM
- EAS deactivation antenna is standard
- Supports commonly used interfaces including USB and Keyboard Wedge
- User-replaceable, single cable interface to host
- Field replaceable window
- RS232 auxiliary port for adding peripherals
- OPOS and JPOS system compatible

Mount or use with or without stand



**Metrologic's MS7320 InVista** offers an outstanding combination of features, versatility, performance, and durability. This fixed mount laser bar code scanner provides ease of use and high throughput speeds by featuring a large, dynamic, and aggressive scan volume. InVista scanners are sure to provide a positive influence on the productivity of your check out operations by minimizing operator effort and increasing check out speed.

Each InVista is shipped with an integrated EAS deactivation antenna that provides simultaneous scanning and deactivation of security tags, which are used to reduce shrink in retail applications. With a field-replaceable outer window, damaged windows can now be changed easily, eliminating



the need to send the entire unit back for repair. The small footprint takes up minimal counter space while maximizing flexibility with the use of the multi-positioning stand. The setup and integration are simplified by using bar code menus or Windows based software. Supporting multiple interfaces, InVista is compatible with almost every POS system currently on the market. The RS232 auxiliary port allows for hand held scanners or other peripherals to be connected quickly and easily.

With all of the outstanding features, end-users are ensured this scanner will meet the present and future needs of the scanning environments for which it is designed - - grocery stores, convenience stores, supermarkets, pharmacies, and specialty stores.

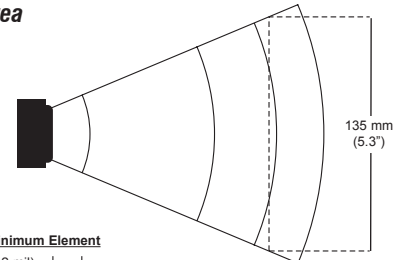


# MS7320 InVista®

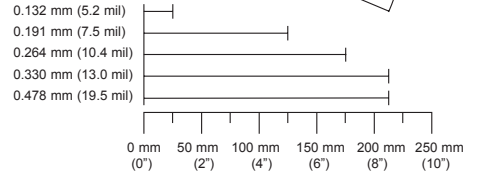
## OPERATIONAL

Light Source	Visible Laser Diode 650 nm $\pm$ 10 nm
Laser Power	0.678 mW (peak)
Depth of Scan Field	0 mm - 215 mm (0" - 8.5") for 0.33 mm (13 mil) bar code
Width of Scan Field	38 mm (1.5") @ 15 mm (0.6") ; 135 mm (5.3") @ 191 mm (7.5")
Scan Speed	2000 scan lines per second
Scan Pattern	5 fields of 4 parallel lines (omnidirectional)
Number of Scan Lines	20
Minimum Bar Width	0.127 mm (5.0 mil)
Decode Capability	Autodiscriminates all standard bar codes, including RSS; for other symbologies call Metrologic
System Interfaces	PC Keyboard Wedge, RS232, OCIA, Light Pen Emulation, IBM 468x/469x, Stand Alone PC Keyboard, USB (low speed and full speed)
Print Contrast	35% minimum reflectance difference
Number Characters Read	Up to 80 data characters
Roll, Pitch, Yaw	360°, 60°, 60°
Beeper Operation	7 tones or no beep
Indicators (LED)	Green = laser on, ready to scan; Red = good read, decoding

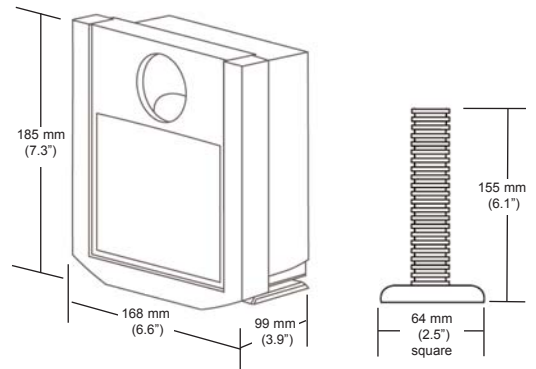
## Scan Area



## Bar Code Minimum Element



## Dimensions



## MECHANICAL

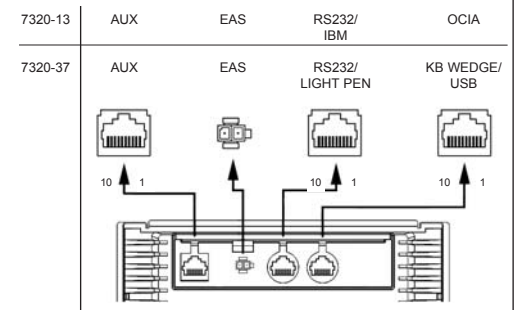
Dimensions (without stand)	185 mm H x 99 mm D x 168 mm W (7.3" H x 3.9" D x 6.6" W)
Footprint of Stand	64 mm x 64 mm (2.5" x 2.5")
Weight	1.2 kg (2.65 lbs)
Termination	Three 10-pin modular RJ45
Cable	Standard 2.1 m (7') straight; for other cables call Metrologic
Mount (optional)	Fully adjustable

## ELECTRICAL

Input Voltage	5.2 VDC $\pm$ 0.25 V
Power	1.9 W
Operating Current	360 mA
DC Transformers	Class II; 5.2 VDC @ 1 A
Laser Class	CDRH: Class IIa; EN60825-1:1994/A11:1996 Class 1
EMC	FCC, ICES-003 & EN55022 Class A

Operating Temperature	0°C to 40°C (32°F to 104°F)
Storage Temperature	-40°C to 60°C (-40°F to 140°F)
Humidity	5% to 95% relative humidity, non-condensing
Light Levels	Up to 4842 Lux (450 footcandles)
Contaminants	Sealed to resist airborne particulate contaminants
Ventilation	None required

## Port Configuration



InVista is available in the following color



Light Grey

Sample only, actual color may vary



www.metrologic.com

**USA**  
Tel. 1.800.ID.METRO  
info@metrologic.com

**Asia**  
Tel. 65.6842.7155  
info@sg.metrologic.com

**AOA (only)**  
Tel. 1.617.806.1400  
info@oaa.metrologic.com

**China (only)**  
Tel. 86.512.62572511  
info@cn.metrologic.com

**South America**  
Tel. 5511.5182.7273  
info@sa.metrologic.com

**Japan (only)**  
Tel. 81.03.3839.8511  
info@jp.metrologic.com

**Brazil (only)**  
Tel. 5511.5182.8226  
info@br.metrologic.com

**Europe**  
Tel. 49.89.89019.0  
info@europe.metrologic.com

Specifications subject to change without notice.  
Printed U.S.A., Copyright September 2003  
Metrologic, All rights reserved.



DS7320